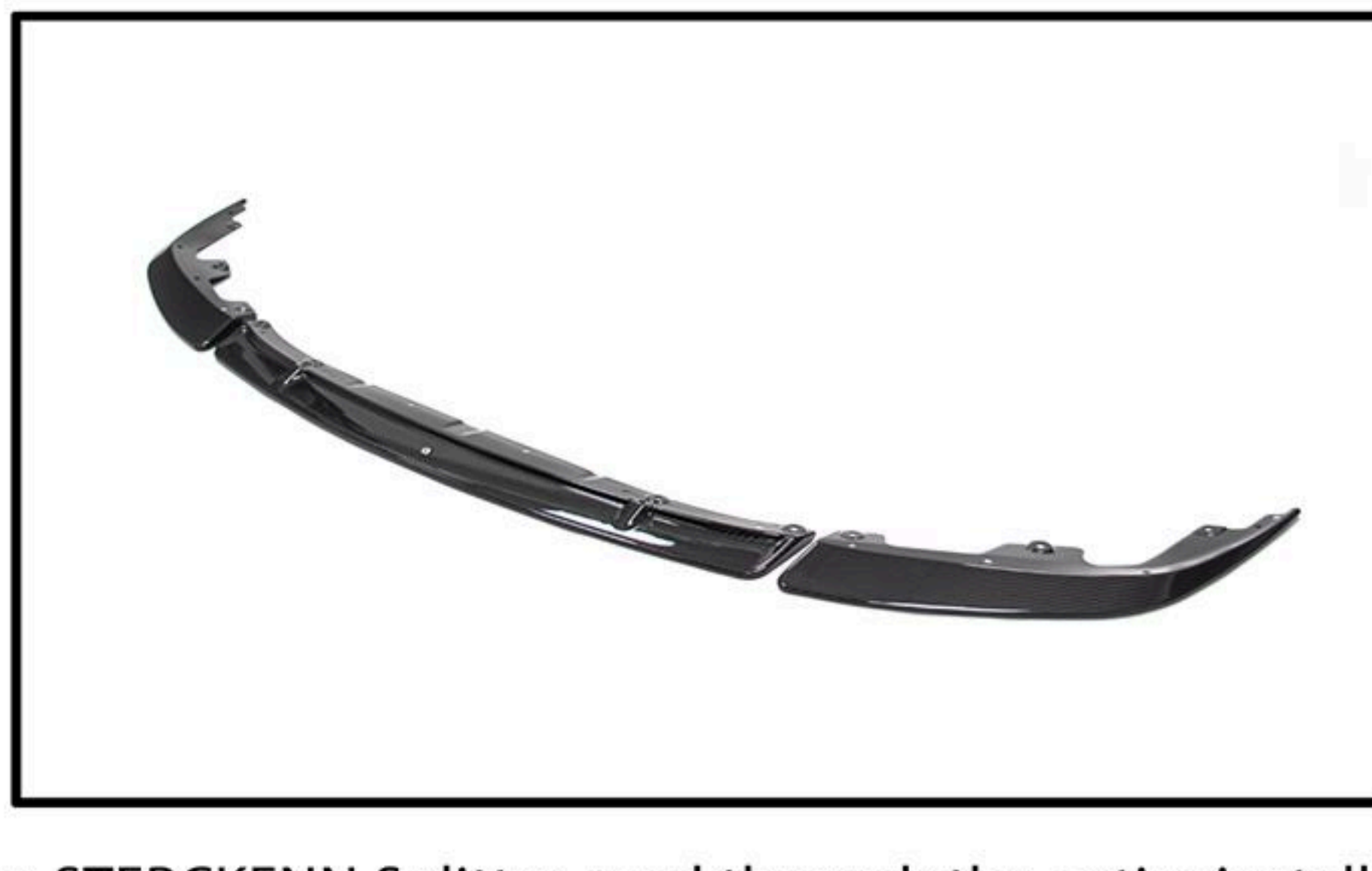


## Sterckenn Splitter - SN-G87-S1 (BMW M2 G87)



Before installing your STERCKENN Splitter, read through the entire installation procedure and check to make sure all items are present. For any questions regarding fit, missing parts or instructions that are unclear to you please contact Sterckenn directly: [info@sterckenn.com](mailto:info@sterckenn.com)

### Packaging List for SN-G87-S1

Sterckenn Description	Sterckenn Part Number	Qty
M2 G87 Splitter	SN-G87-S1	1
Install instruction	-	1
Nuts/bolts	-	12
Washers	-	12

### LIMIT OF LIABILITY STATEMENT

The information contained in this publication was accurate and in effect at the time the publication was approved for printing and is subject to change without notice or liability. Sterckenn reserves the right to revise the information presented herein or to discontinue the production of parts described at any time.

This product is recommended for off-road use only. Please check your local laws for ensure legality when using this product on public roads and highways. In areas where this product is not legal for road use it is sold strictly for off-road, track or show use only.

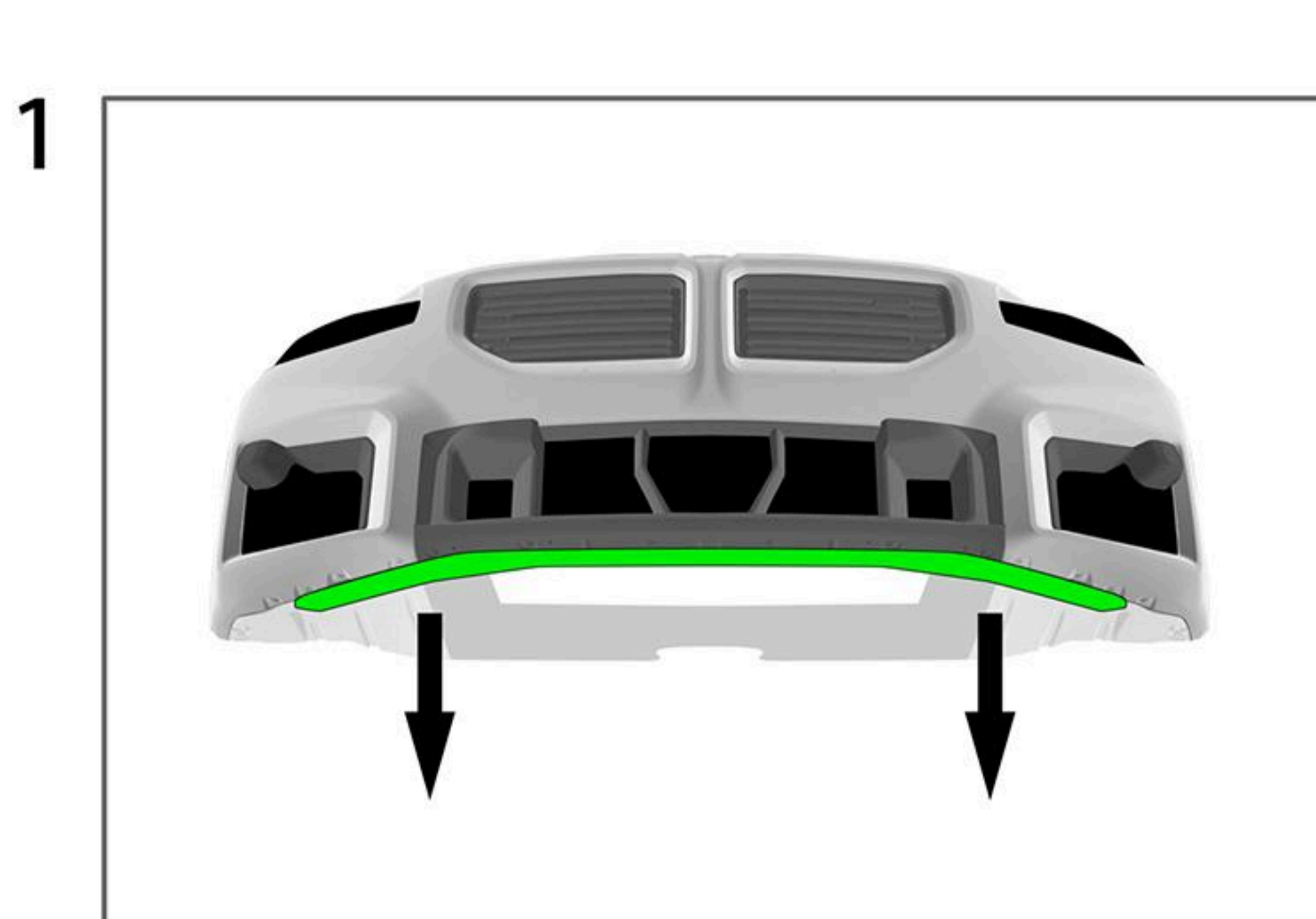
Sterckenn assumes no responsibility for damages occurring from misuse, abuse, improper installation, improper operation, lack of responsible care, or all previously stated reasons resulting from incompatibility with other manufacturer's products and/or systems.

### READ IMPORTANT SAFETY CAUTIONS AND WARNINGS BEFORE PROCEEDING

- 1-Please perform the installation carefully. There is a possibility that the product can fall off during driving and cause an accident.
- 2-Please perform the installation at room temperature (20°C).
- 3-We do not recommend processing or modifying the product.
- 4-Always apply the parking brake when working on a vehicle.
- 5-If working without a lift, always consult vehicle manual for correct lifting specifications.

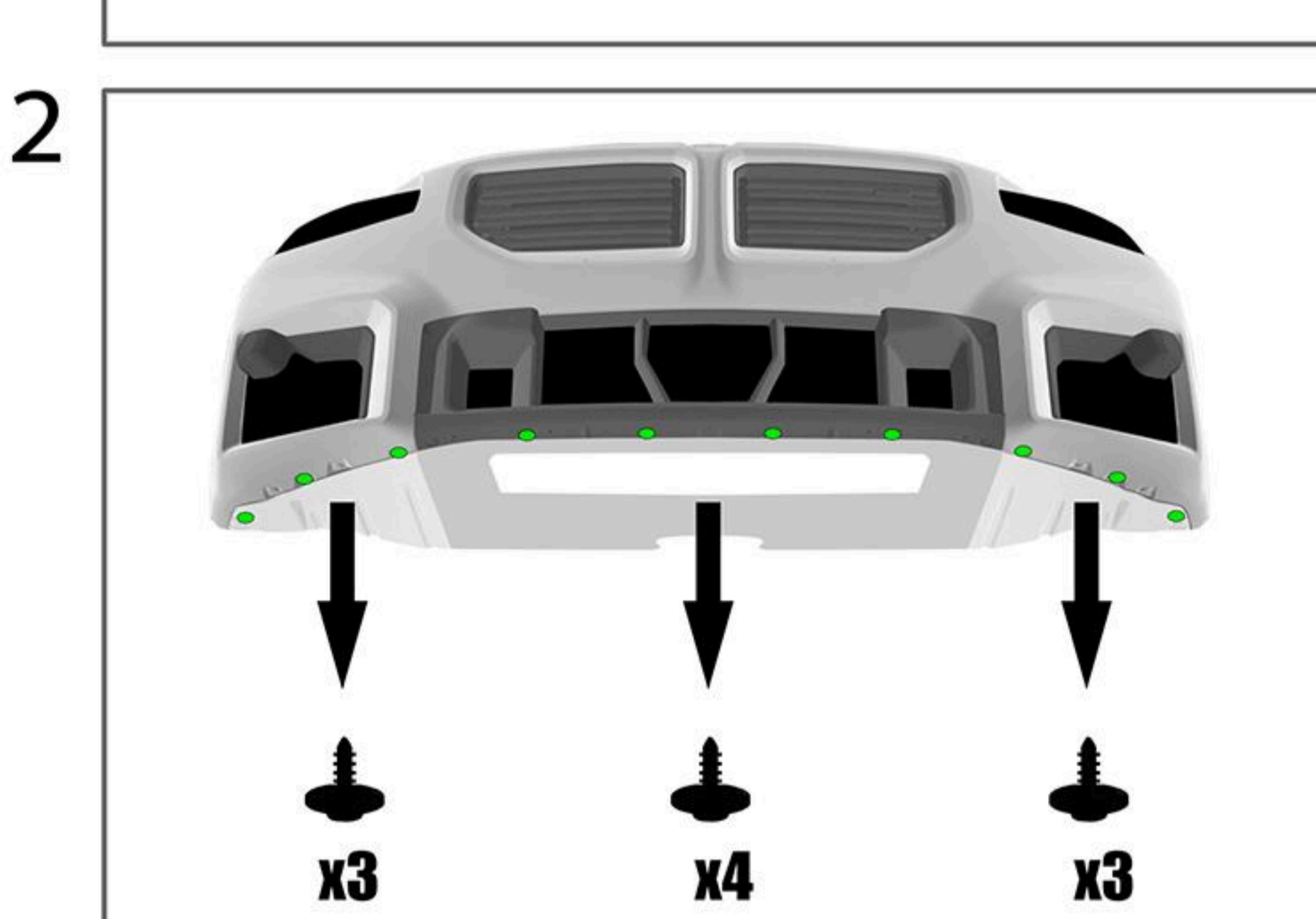
### WORK SAFELY!

Perform this installation on a good clean level surface for maximum safety and with the engine turned off.

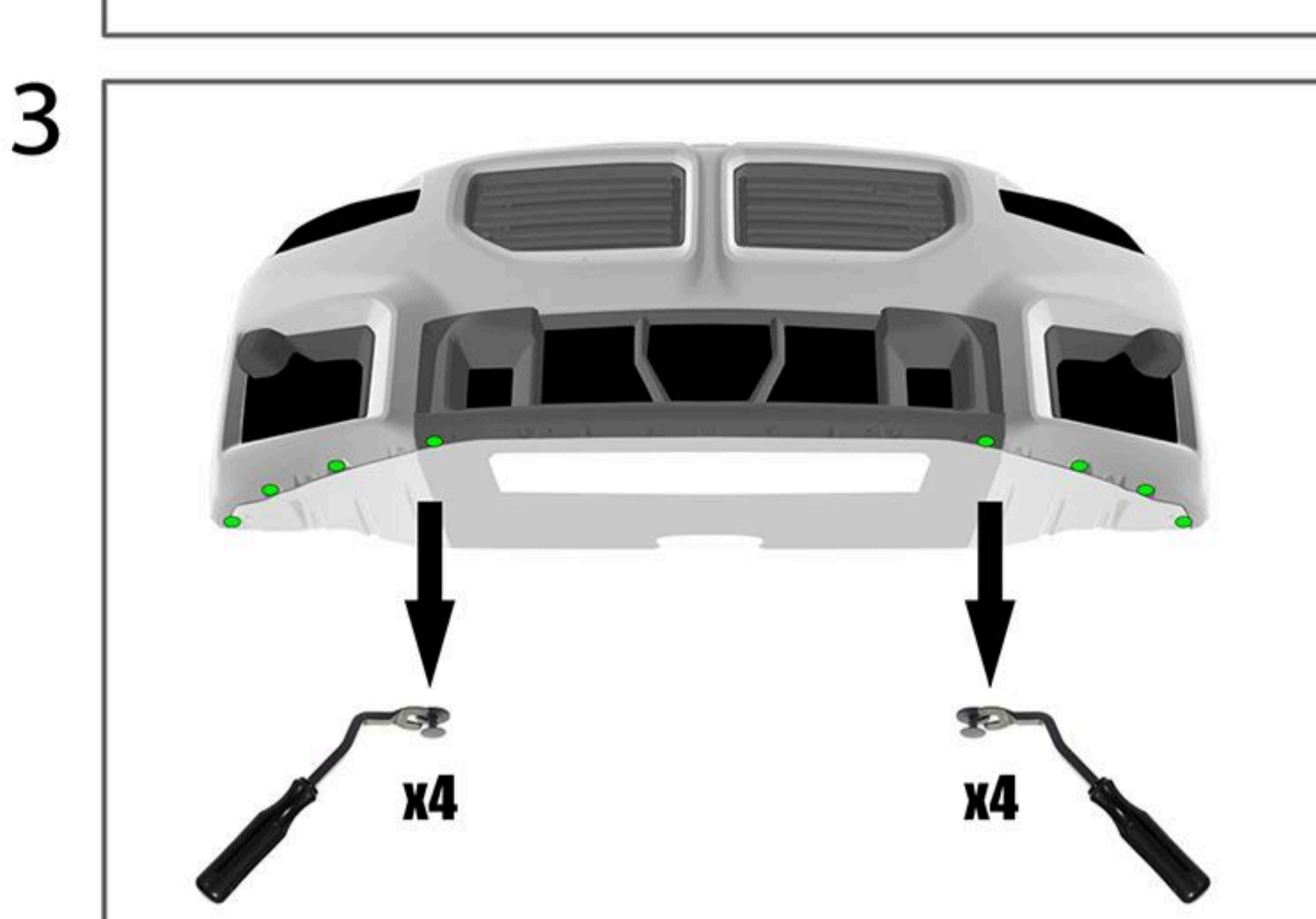


Front bumper doesn't need to be removed from the car to perform this installation

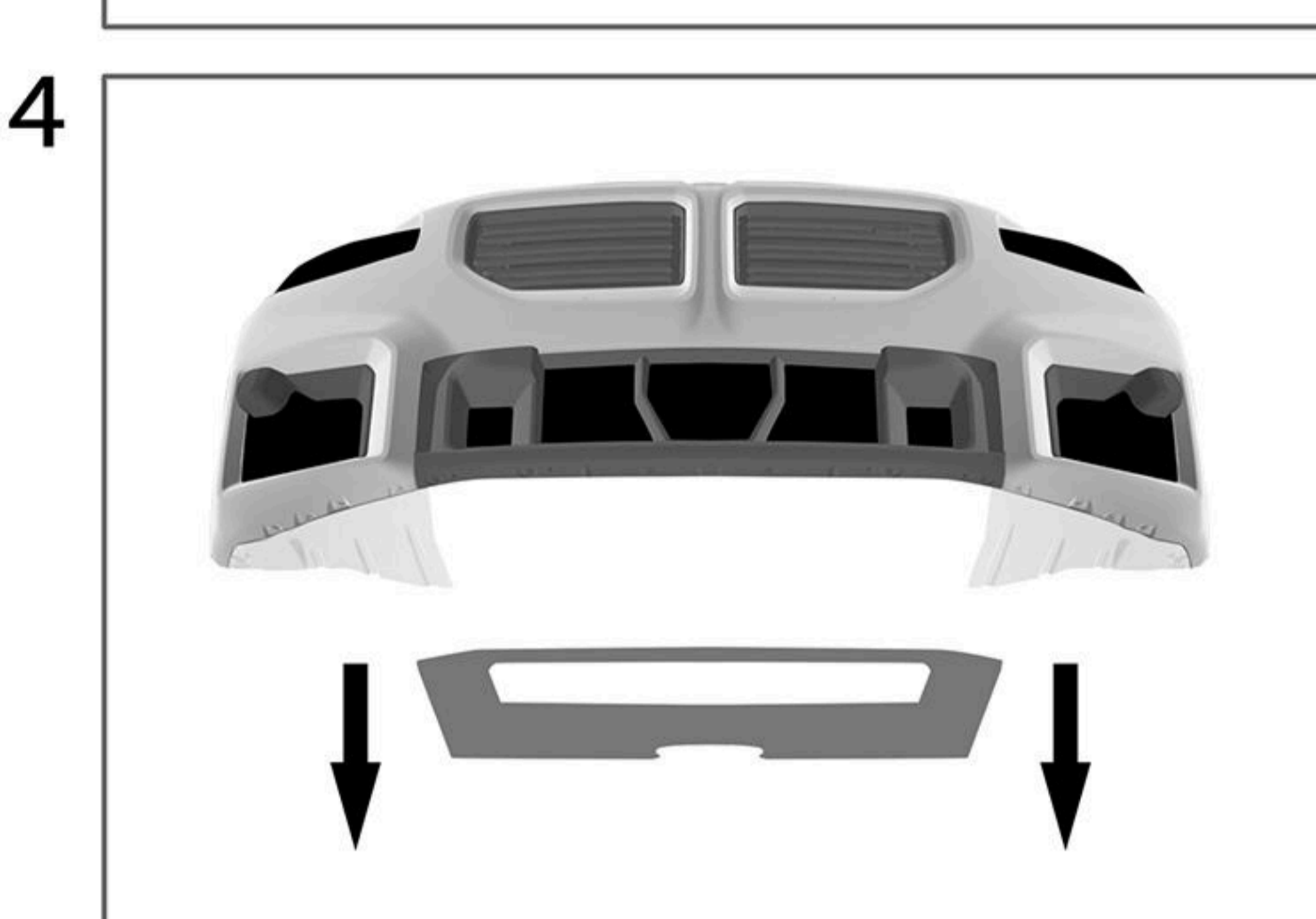
Remove OEM lower rubber spoiler.



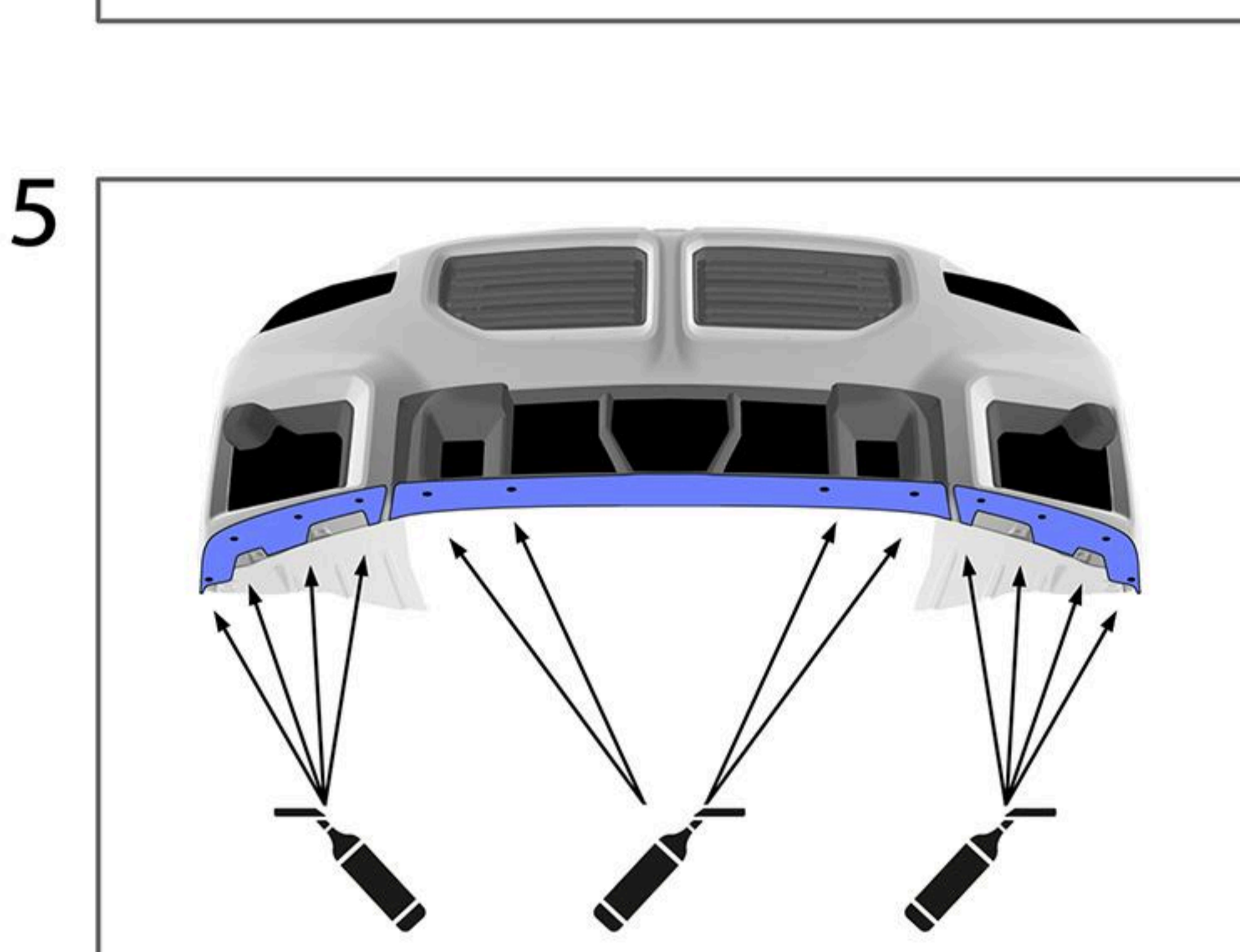
Remove 10 OEM mounting screws.



Remove 8 OEM plastic rivets.



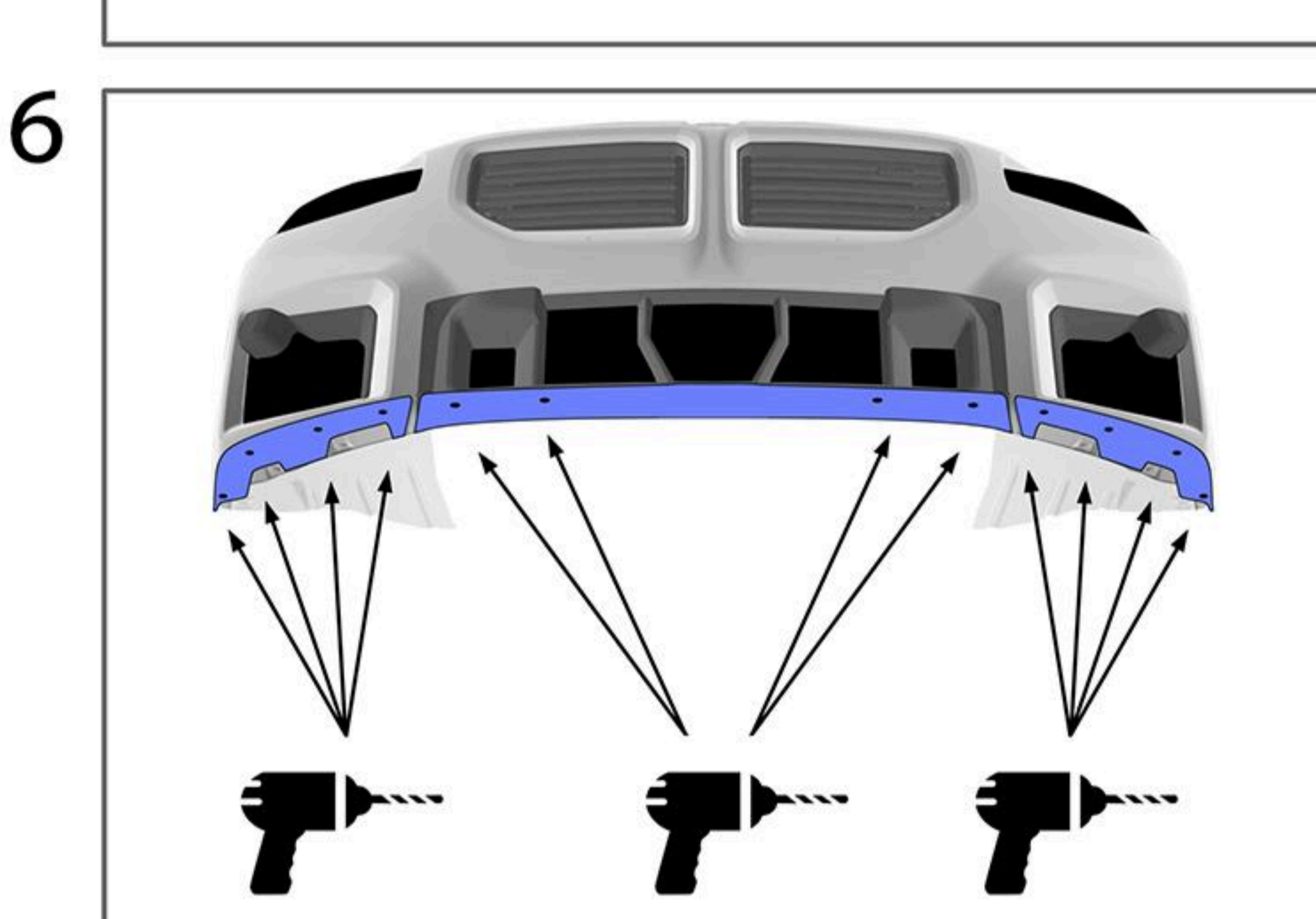
Remove OEM center cover.



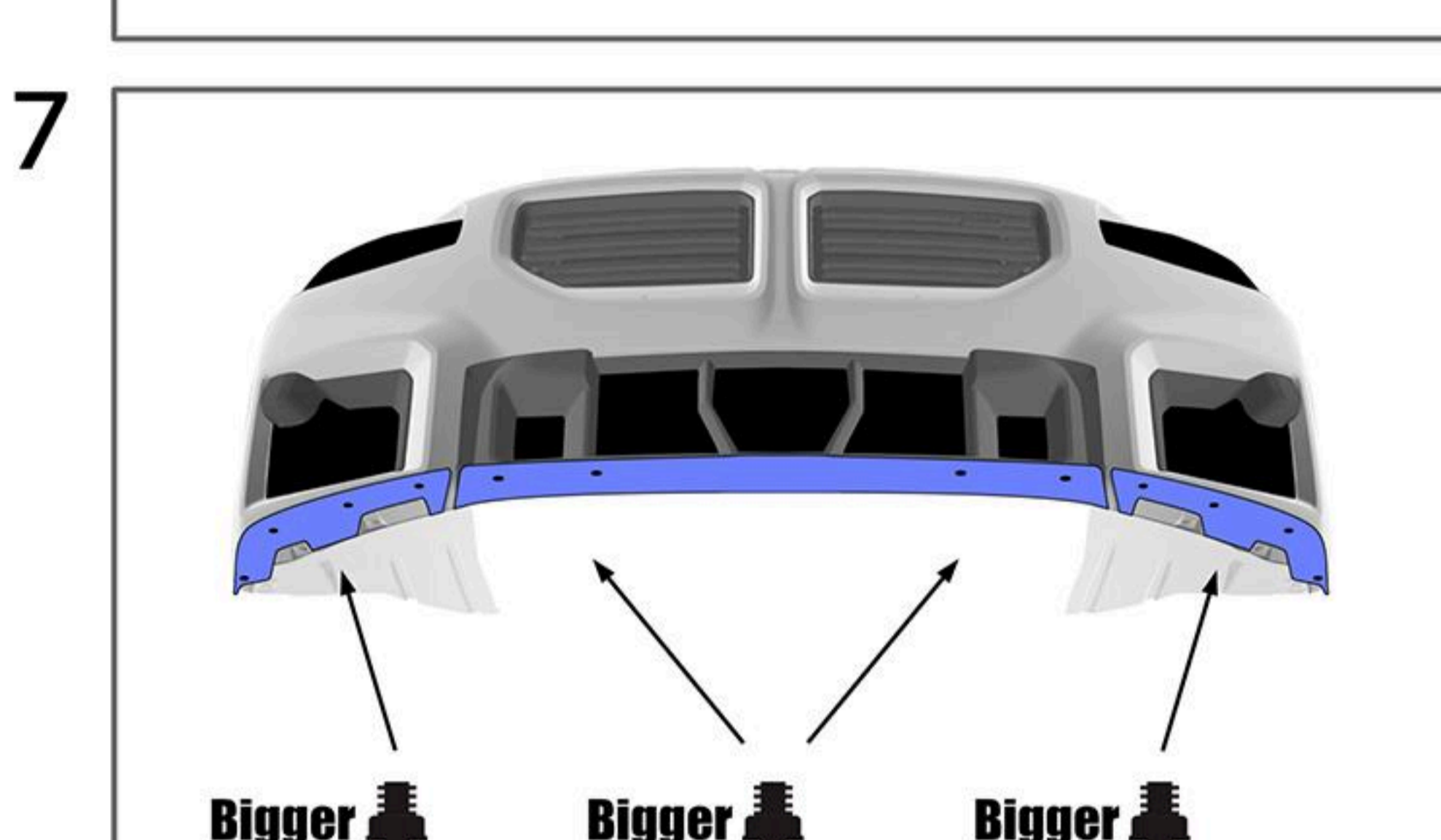
Position the Sterckenn splitter properly on the bumper using genuine OEM mounting screws.

Mark all 12 not OEM spots necessary to drill the holes.

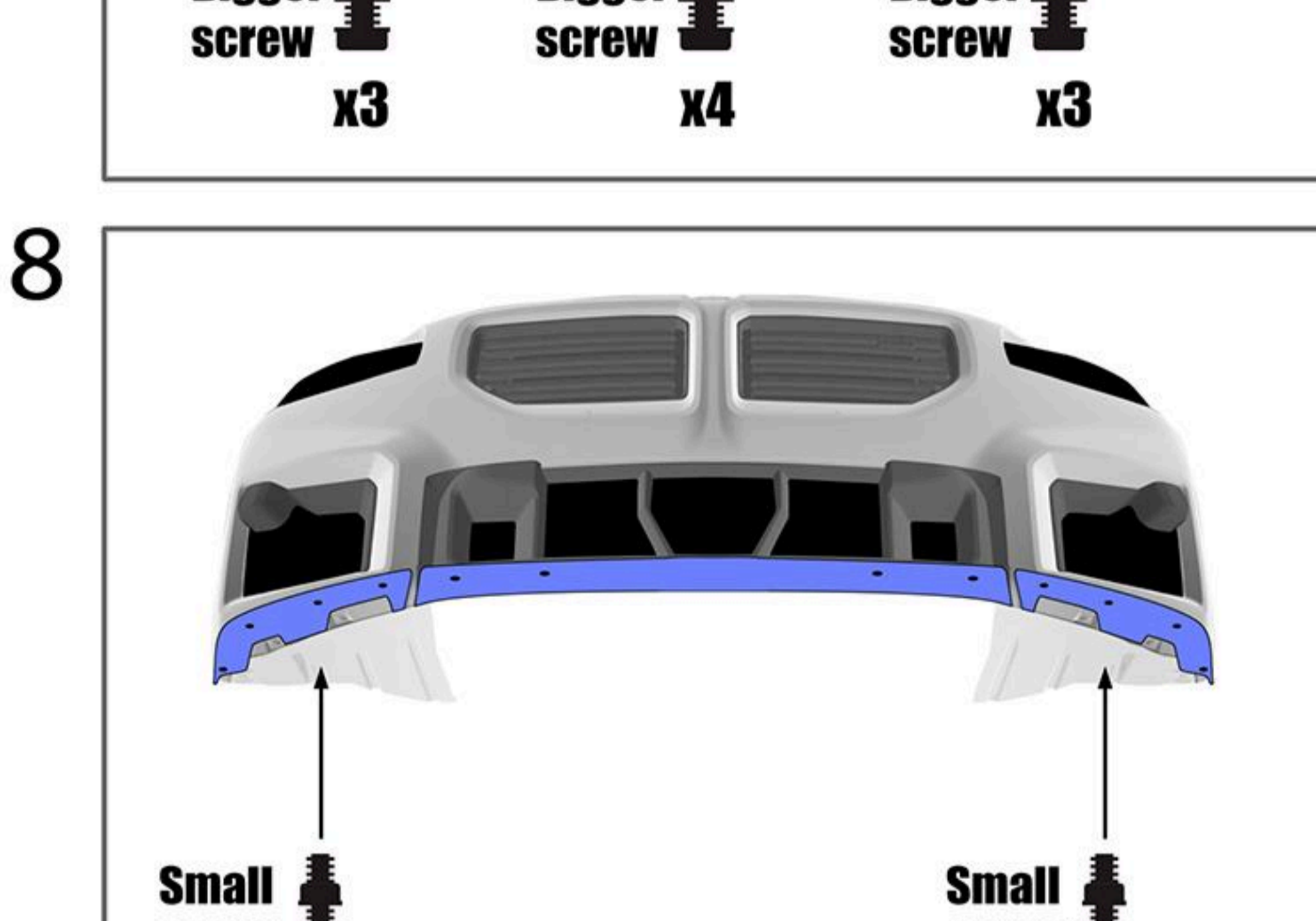
Remember to align the splitter first.



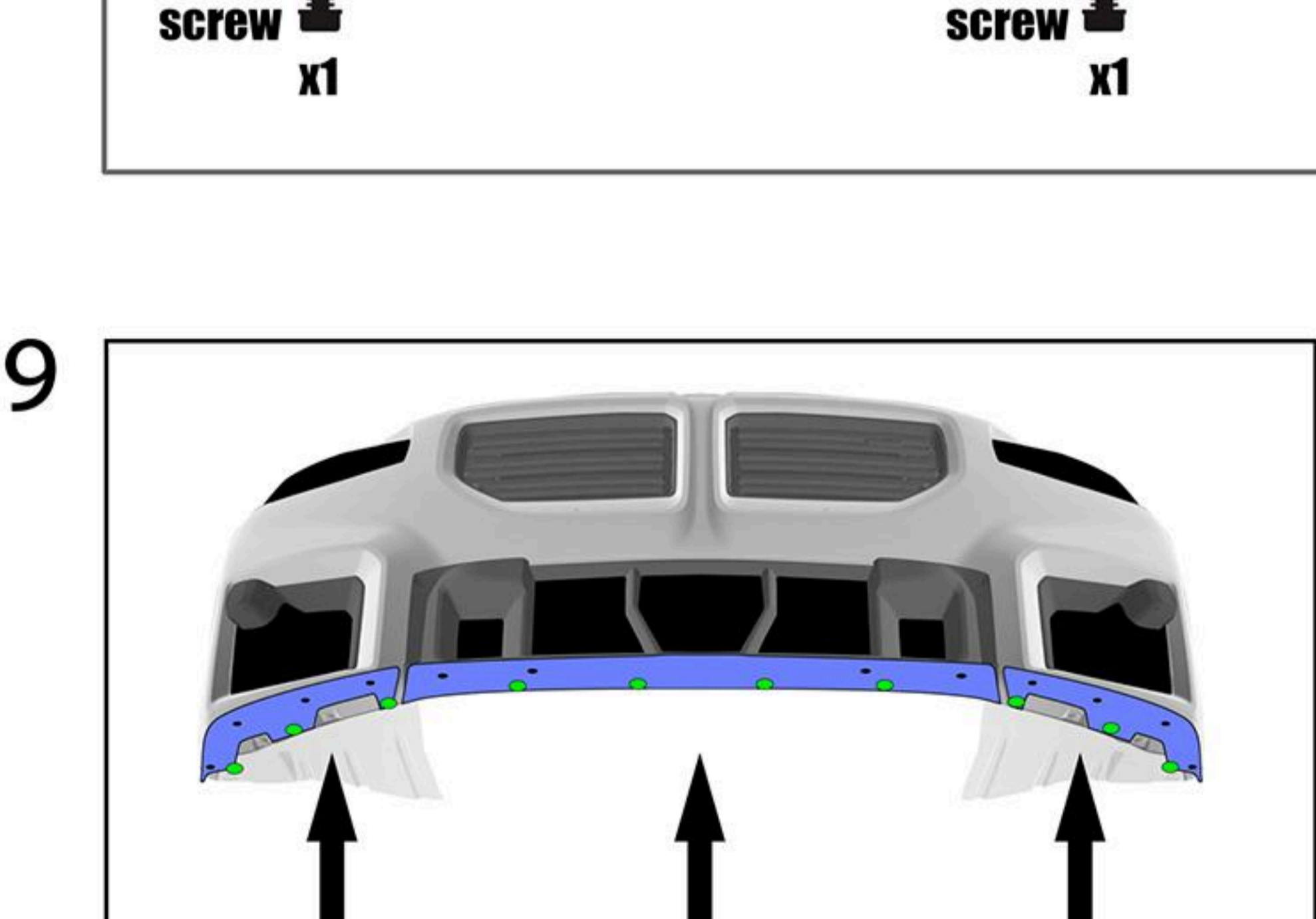
Drill 12 spots marked before.



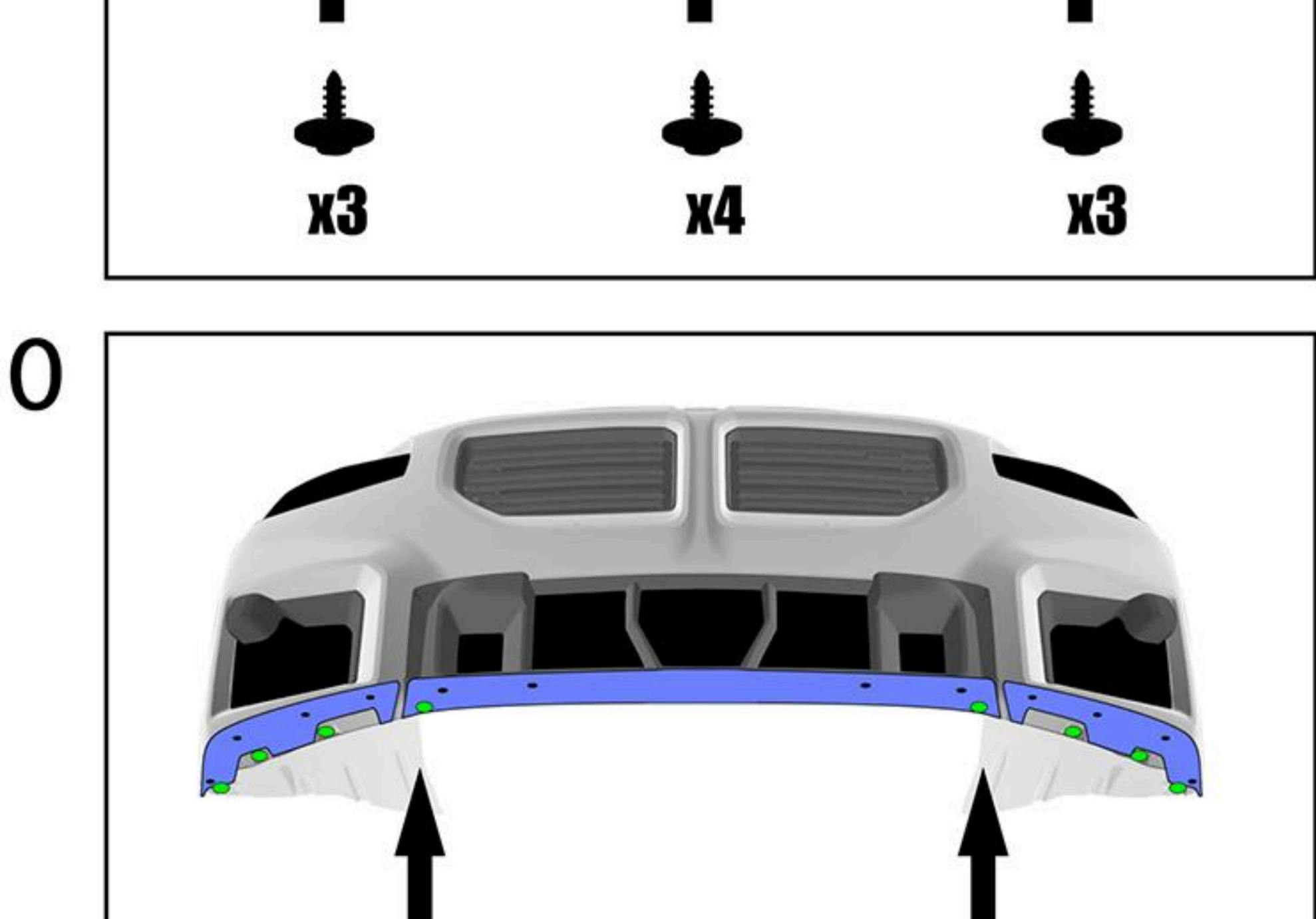
Install 10 M6 bolts that are attached to this mounting kit. (mounting diagram)



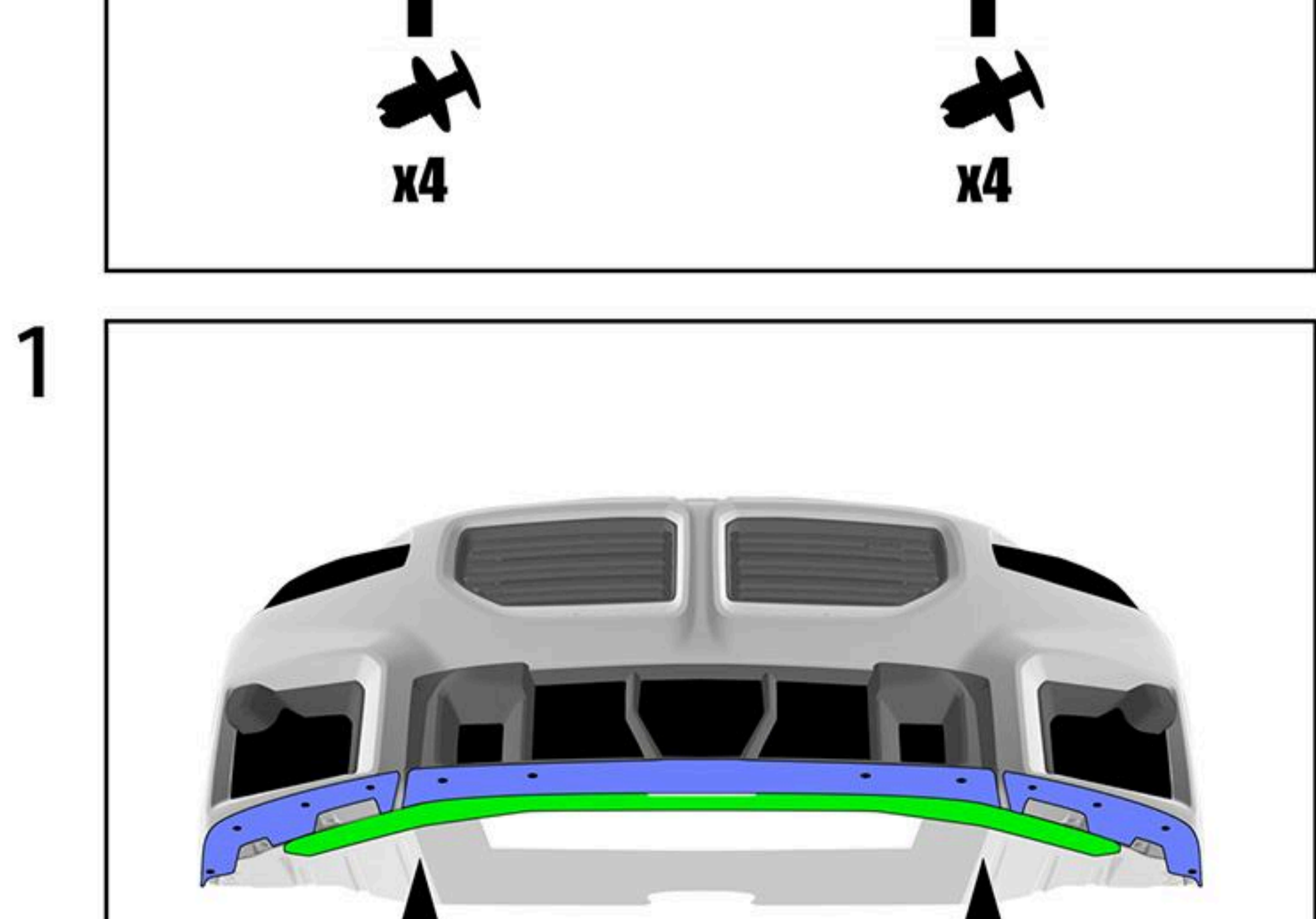
Install 2 M4 bolts that are attached to this mounting kit. (mounting diagram)



Install 10 OEM screws that were removed before.



Install 8 OEM plastic rivets that were removed before.



Install OEM center cover and lower rubber spoiler.

Congratulations ! You have completed the installation. ✓

Sterckenn suggests to use clear bra films on carbon fiber products to protect it's finish from scratches, rock chips, stains and other damaging elements.

STERCKENN SHALL NOT BE LIABLE TO REIMBURSE CUSTOMER/DEALER FOR INCIDENTAL OR CONSEQUENTIAL DAMAGES RESULTING FROM THE INSTALLATION OR USE OF ANY PRODUCT SOLD THROUGH THIS CATALOG OR ARISING OUT OF ANY BREACH OF WARRANTY. EXCEPT AS MAY BE STATED IN THIS CATALOG, STERCKENN DISCLAIMS ALL EXPRESS AND IMPLIED WARRANTIES, INCLUDING THE WARRANTIES OF MERCHANTABILITY AND FITNESS FOR A PARTICULAR PURPOSE. IN NO EVENT SHALL STERCKENN'S LIABILITY EXCEED THE PRICE PAID BY CUSTOMER/DEALER FOR PRODUCTS SOLD REGARDLESS IF STERCKENN HAS BEEN ADVISED IN ADVANCE OF ANY POTENTIAL PROBLEM OR IF A CLAIM IS BASED ON CONTRACT, TORT, STRICT LIABILITY, PRODUCT LIABILITY OR OTHERWISE. SOME STATES DO NOT ALLOW THE EXCLUSION OR LIMITATION OF IMPLIED WARRANTIES OR THEIR DURATION, OR LIABILITY FOR INCIDENTAL OR CONSEQUENTIAL DAMAGES, SO THE ABOVE EXCLUSIONS OR LIMITATIONS MAY NOT APPLY.